



LEGAL FOR TRADE



Cardinal's Model 825 Digital Weight Indicator

Features a Full *SPECTRUM* of Colors

- 640 x 480 Pixel Backlit Interactive Touchscreen LCD
- Color-Coded QWERTY Keyboard for Easy Data Entry
- Two ColdFire® Processors and 64 MB User Memory
- Navigation Keys Combine with Intuitive Menus

The 825 is loaded with inclusive features and applications ready out of the box!





Truck/ID Storage

ID	Flags	Weight	Accum
1	CMC1	12500	21200
2	CMC2	10200	40500
3	CMC3	12240	127600
4	CMC4	8420	23420
5	CMC5	11480	34880
6	CMC6	8180	49740
7	CMC7	9860	10480
8	CMC8	10840	50400
9	CMC9	6840	12740
10	CMC10	11430	10940

Showing: 1-10 of 18 Page: 1/3

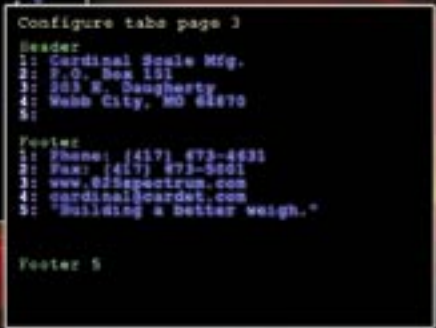
Flags: [U]sed [T]emporary [S]tare [W]eight

Buttons: [Edit] [Filter] [Print] [Show] [Exit]

View Full Reports Onscreen



Convenient Ticket Setup



Type in Ticket Headers and Footers



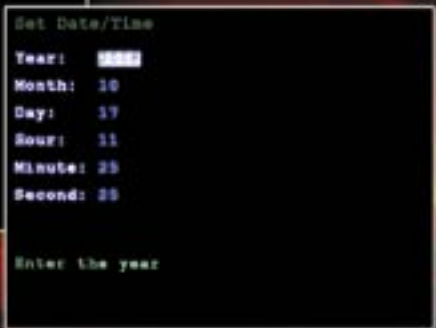
View up to 10 Scales Simultaneously



Easily Access Individual Weights



Intuitive Setup and Configuration Menus



Easy to Set Date and Time

Versatile and extensive truck/ID storage reports with the 825 Spectrum.

Filter through truck/ID storage and accumulator data and view reports based on specific criteria directly onscreen in no time at all with the 825 Spectrum's speedy pair of 32-bit ColdFire® processors and 64 MB user memory. Sort by company name, truck number, fleet, ID, accumulator, time, date, oldest load or newest load. Reports may be viewed onscreen and/or printed, plus the truck storage database may be shared with a PC for creating, editing, sorting, and billing.



Complete ticket configurability in the 825.

Cardinal Scale Mfg.
P.O. Box 151
203 E. Daugherty
Webb City, MO 64870

TIME: 10:57am DATE: Nov. 17, 2008 ID: HWP1

GROSS: 10,257 lb
TARE: 4,389 lb
NET: 5,868 lb

Phone: (417) 673-4631
Fax: (417) 673-5001
www.825spectrum.com
cardinal@cardet.com
"Building a better weigh."

Convenient tab settings with X-Y coordinates allow operators to set up tickets easily for any ASCII printer. Up to five lines of header and footer may be created for text, data, and control codes. Cardinal also offers VISUALIZER software for custom tickets.

Cardinal's 825 Spectrum provides optimum inventory management for tank farms.

Instantly determine material inventory with the 825's ability to view 10 scales onscreen simultaneously. The power of the Spectrum's large 640 x 480 pixel color LCD becomes apparent when, in one scan of the eye, you can check on your entire tank farm's stocking levels. By touching a scale's weight onscreen, the indicator brings up the individual scale's information to set zone target values and ranges, zero weight, and apply tare weights.



The 825 Spectrum thinks like you do with intuitive setup and configuration menus.

The 825 Spectrum's large screen size provides ample space for detailed setup and configuration headers with descriptive choices about available options. You may set up the Spectrum with your own preference of onscreen colors and sounds using the convenient interactive touch screen and navigation keys. Up to eight operators (one administrator and seven configurable users) may be established for use with up to 25 levels of permission. The View Audit Trail section is useful for state inspectors and scale technicians providing information on calibration and parameter changes. Time and Date configuration is easy to set up with 12 or 24 hour operation.



File Management Via Internal Web Server

Transfer data with the 825 Spectrum over a network or Internet connection:

In the Office • Across Town • Around the World

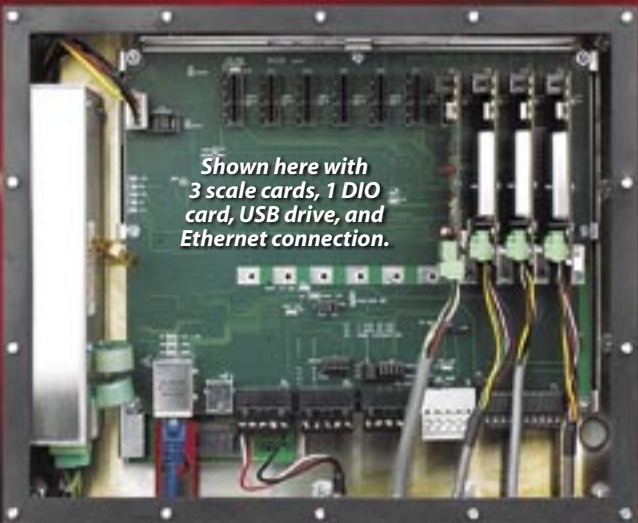
EASY DATA TRANSFER

Files stored on 825 Spectrum

Database file being transferred from USB drive



Cardinal model 825 Spectrum digital weight indicator



Shown here with 3 scale cards, 1 DIO card, USB drive, and Ethernet connection.



The 825 Spectrum's USB drive supports data transfer, USB QWERTY keyboards, and Cardinal-supported printers.

Copy files with ease to and from the indicator (bottom of 825 Spectrum shown to the left).

THE COMPLETE TRUCK SCALE SOLUTION

- 8 DIGITAL I/O (4 INPUT/4 OUTPUT)
- DEVICENET/ICAN
- 3 SERIAL PORTS (RS232/RS422)
- 64 MB USER MEMORY
- 10 OPTION SLOTS AVAILABLE
- OPTIONAL SCALE INPUT CARDS
- UP TO 8 GB USB MEMORY STORAGE
- ETHERNET CONNECTION (TCP/IP OR EIP)
- USB CONNECTION (2 USB-A / 1 USB-B)
- OPTIONAL 8 PROGRAMMABLE I/O'S



CONNECTIVITY





Cardinal Model 825

DIGITAL WEIGHT INDICATOR



SPECTRUM

SPECIFICATIONS

Power Requirements:	90 to 264 VAC (50/60 Hz)
Enclosure Type:	NEMA 4X / IP66 stainless steel
Weight:	16.2 lb / 7.3 kg (includes gimbal)
Operating Environment:	Temperature: 14 to 104 °F (-10 to +40 °C) Humidity: 90% non-condensing (maximum)
Display Size:	5.25" W x 4.0" H / 133 mm W x 102 mm H
Display Resolution:	640 x 480 pixel matrix color backlit LCD
Transducer Excitation:	10.85 VDC
Load Cell Cable Length:	1260 feet maximum with sense lines 30 feet maximum without sense lines <i>Consult factory for other requirements</i>
Division Value:	1, 2, or 5 x 10, 1, 0.1, 0.01, 0.001 and 0.0001 commercial 0 to 99, non-commercial
Signal Input Range:	1.0 mV min. to 33 mV max. (with dead load boost)
Number of Load Cells:	Up to 14 per SIB / 48 - 350 ohm load cells total

Sensitivity:	
NON-COMMERCIAL	0.15 uV/e
NTEP	0.3 uV/e (Class III/IIIL)
CANADA	0.3 uV/e (Class III/IIILD)
OIML	0.5 uV/e (Class III)

Max Scale Divisions:	
NON-COMMERCIAL	240,000
NTEP	10,000 (Class III/IIIL)
CANADA	10,000 (Class III/IIILD)
OIML	10,000 (Class III), 1000 (Class III)

Internal Resolution: >100,000 counts

Tare Capacity: Six digits (999,999)

Sample Rate: 1 to 200 samples per second, selectable

Auto Zero Range: 0.5 or 1 through 9 divisions

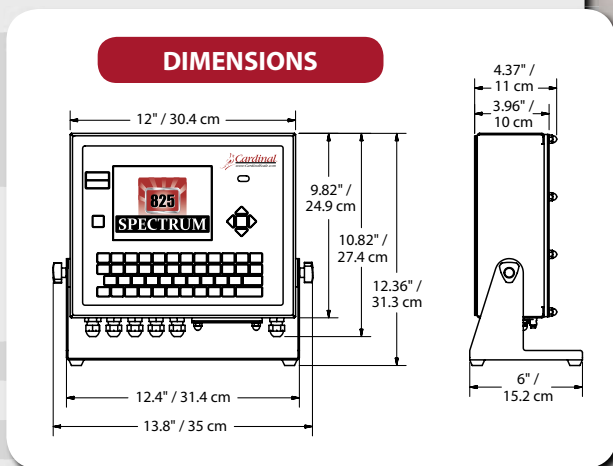
Weighing Units: Tons, pounds, tonnes (metric tons), kilograms, and custom

Keypad: Membrane type with 52 color-coded keys and touch screen display with multiple programmable soft keys

Sound: Configurable audio beep

Standard I/O:

- 1 each bi-directional RS-232 port
- 1 each bi-directional RS-232/20mA port
- 1 each bi-directional RS-232/RS485 port
- 1 each DeviceNet/ICAN port
- 4 each isolated inputs and 4 each isolated outputs ports
- 1 each 10/100 Base-T Ethernet port (TCP/IP or EIP)
- 2 each USB A host port
- 1 each USB B device port



VISUALIZER
 The 825 Spectrum may also use Cardinal's VISUALIZER Ticket and Label Generation Software

Cardinal Scale reserves the right to improve, enhance or modify features and specifications without prior notice. All registered trademarks are the property of their respective owners.

CERTIFICATIONS

The Model 825 Weight Indicator meets or exceeds Class III/IIIL, 10,000 division accuracy requirements in accordance with NIST Handbook 44. A Certificate of Compliance Number 08-046 has been issued under the National Type Evaluation Program (NTEP) of the National Conference on Weights and Measures.

NOTICE OF APPROVAL PENDING

Cardinal
 Cardinal Scale Manufacturing Co.
 203 E. Daugherty, Webb City, MO 64870 USA
 Ph: 417-673-4631 or 800-441-4237 • Fax: 417-673-5001
 www.cardinalscale.com

SOLD BY: